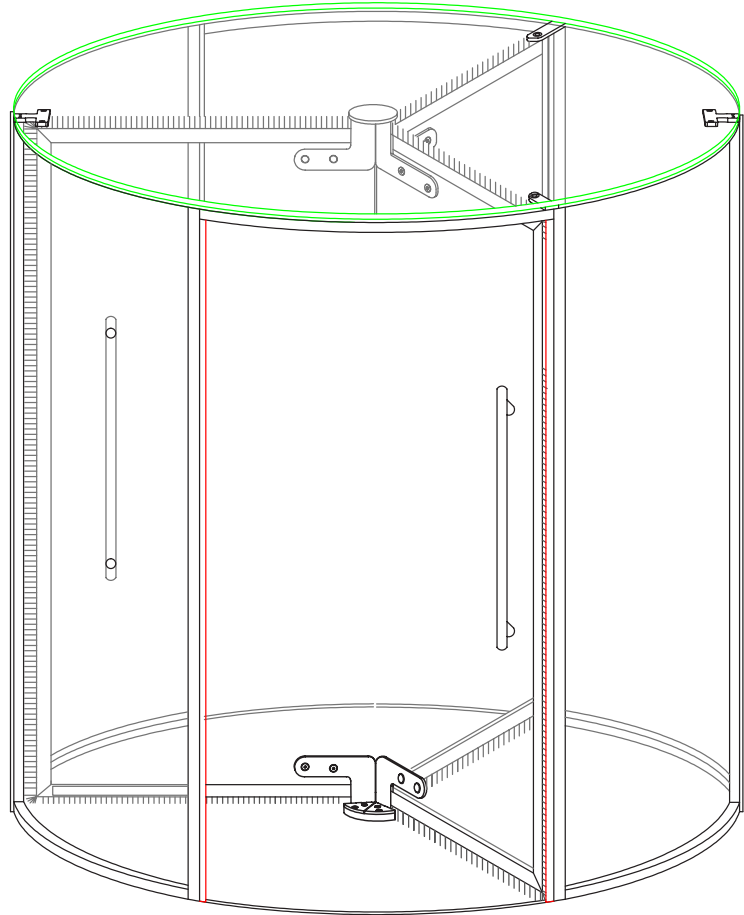


TECHNICAL SPECIFICATIONS



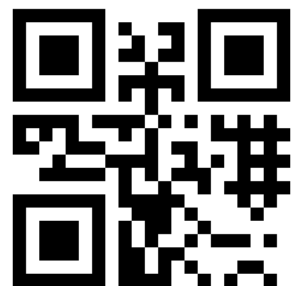
GL30/SM ***Manual All-Glass Revolving Doors***

Ver.01.01.18.GL30.
UKK.1.ENG

GL30/SM glass revolving door is made complete of glass and minimal stainless-steel profiles. It is designed to fit effortlessly in to transparent facades. Besides all these functions it also provides you with insulation and smooth flow of standard revolving doors.

 **TÜVRheinland®**
Genau. Richtig.

HTM METAXDOOR GmbH
Bredeneyer Str. 2b
45133 Essen
Tel : 0201 4517-322
Fax: 0201 4517-323
www.metaxdoor.de

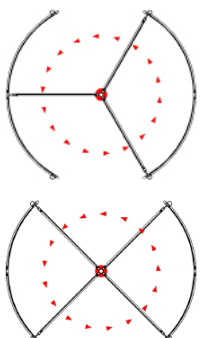




Manual All-Glass Revolving Doors

METAXDOOR GL30/SM Manuel glass revolving door, perfect harmony of laminated and tampered glasses with slim stainless steel profiles and custom manufactured floor mat are just some of the featured specifications of MGL30 series glass revolving doors.

Technical Specifications	Standard
Leaf Profiles	Slim stainless-steel design
Operator	Underfloor mechanism for speed control
Passage Height	2100 - 2600 mm
Diameter	2000 - 3000 mm
Number of Leaves	3 or 4
Ceiling Glass	10+0,76+6 mm tempered laminated glass
Fixed Drum Glazing	10 mm tempered laminated glasses
Moving Leaf Glazing	5+0,76+5 mm laminated glasses
Leaf Handles	Stainless-steel 30 mm horizontal or vertical handle
Insulation	EPDM gasket and horsehair brushes
Optional Features	Floor Ring and Mat
	Extra Clear Glass
	Night Shield
	Manual Speed Control



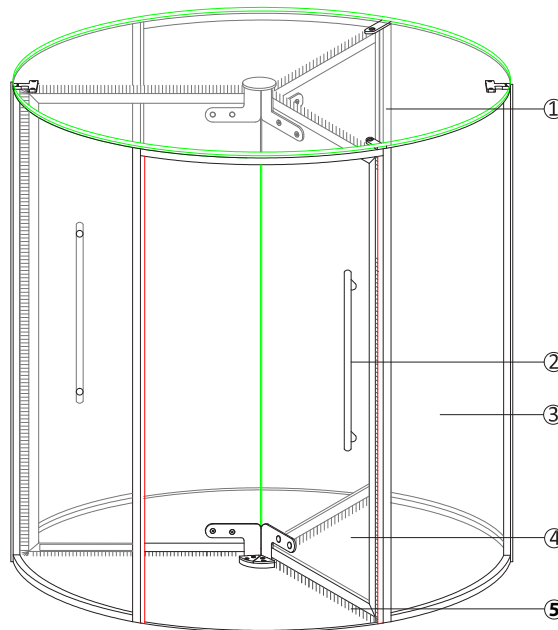
GL30/SM Options:

- Diameter and Functions are Customizable.
- Manual Operation Only.
- Manual Speed Control.

GL30/SM

Ver.01.01.18.GL30.UKK.1.ENG

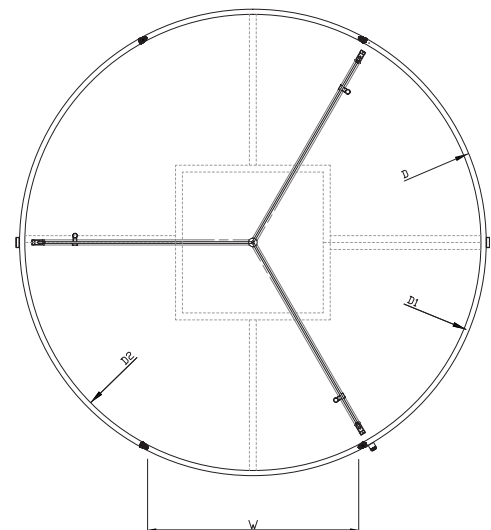
Perfect harmony of laminated and tempered glasses with slim stainless-steel profiles and custom manufactured floor mat are just some of the featured specifications of GL30 series all-glass revolving doors.



1. Ceiling Glass; 18mm tempered laminated glass.
2. Stainless-Steel Handle; used to make it easier to push.
3. Laminated Glass; 4+4mm or 5+5mm laminated glasses with the option of extra clear.
4. Tempered Glass; 10mm tempered glasses with the option of extra clear.
5. Horsehair Brush; used to provide insulation.

Diameter Value

D (mm)	D1 (mm)	D2 (mm)	3-Leaf	4-Leaf
2000	1966	1906	860	1270
2200	2166	2106	960	1410
2400	2366	2306	1060	1550
2600	2566	2506	1160	1690
2800	2766	2706	1260	1830
3000	2966	2906	1360	1970



*D : Outer diameter *D2: Floor inner diameter *W: Passage (mm) *D1: Floor outer diameter

HTM METAXDOOR GMBH

BREDENEYER STR. 2B 45133 ESSEN

TEL : 0201 4517-322 FAX: 0201 4517-323

WWW.METAXDOOR.DE

